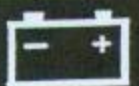


CONTENTS

Wiring Diagrams	Page
Introduction	2
Fuses	2
Fuse box details	3
Power distribution	5
Direction indicator and hazard warning	7
Exterior lamps and horn	9
Auxiliary driving lamps	10
Rear fog lights	10
Headlamp levelling (Germany)	11
Engine management system	12
Anti - theft alarm	15
Instruments	17
Reverse lamps, brake lamps and heated rear window	18
Brake test circuit	18
Heater circuit	19
Auxiliary cooling fan	19
Wash wipe	21
Interior lamp (Saloon)	22
Interior lamp (Cabriolet)	22
Radio/cassette player - 2 speaker	23
Radio/cassette player - 4 speaker	23
Sun roof	24
Seat belt warning	25
Catalyst overheat	26
Automatic gearbox selector illumination	27



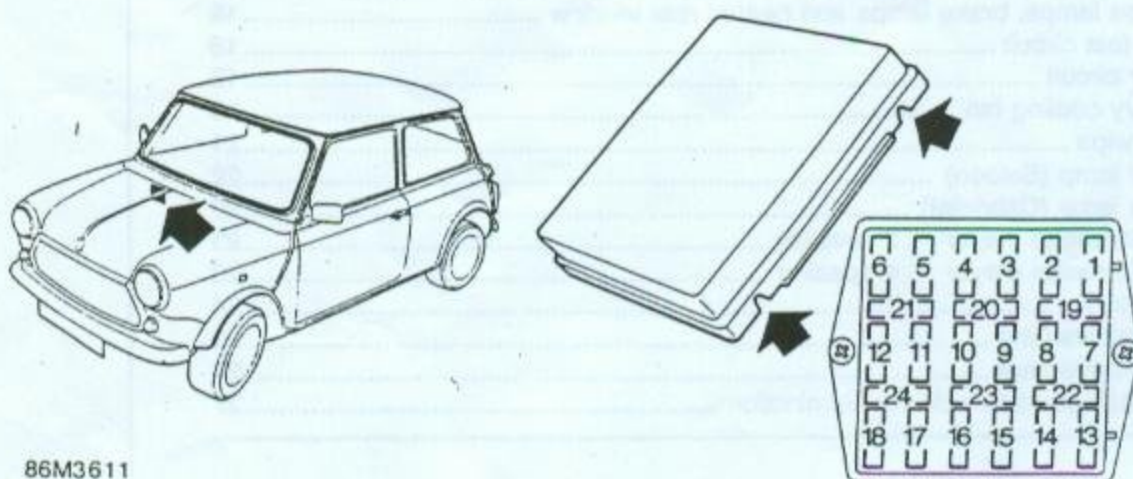
INTRODUCTION

The circuit diagrams are for Mini models from 1994 on, fitted with anti-theft alarms. The circuit diagrams are shown as specific system diagrams, e.g. Power distribution circuit, Engine management circuit, Instruments etc.

Note: Ensure the correct manual is used when carrying out diagnosis and repairs.

Interconnections from one circuit to another are shown by a triangular symbol identified by a (lower case) letter. Outputs are shown with the lead connected to the base of the triangular symbol and inputs are shown with the lead connected to the apex of the triangular symbol.

FUSES

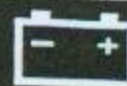


86M3611

Engine compartment fuse box

Always switch off the starter switch and the appropriate electrical circuit before removing a fuse. Pull the fuse box cover to remove. The position and value of each fuse is shown in the accompanying illustration and chart.

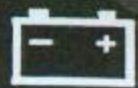
The fuse box cover has two notches cut into one side to ensure correct fitment of cover. Align cover to fuse box and push to secure.



FUSE BOX DETAILS

Fuse No.	Rating	Function
1	15 A	Heated Rear Window
2	15A	Reverse lamps, Brake lamps, Catalyst overheat*, Dim dip*, Direction indicator and hazard warning
3	15A	Auxiliary cooling fan
4	15A	Dim dip resistor*, Air conditioning*
5	15A	Heater blower motor, Sun roof motor*
6	15A	Wiper motor, washer pump
7	20A	Horn, Headlamp flash, Anti theft alarm
8	10A	Instrument pack, Engine management, Anti theft alarm, Fuel pump relay, Tachometer
9	10A	Radio/cassette player, Automatic gearbox selector illumination, Auxiliary cooling fan
10	10A	Interior lamps, Radio/cassette memory, Brake test, Anti theft alarm LED, Direction indicator and Hazard warning
11	10A	Fuel pump
12	10A	Starter signal
13	10A	LH side and tail lights
14	10A	RH side and tail lights, Instrument panel illumination
15	10A	LH headlight main beam
16	10A	RH headlight main beam, Main beam warning light
17	10A	LH headlight dipped beam
18	10A	RH headlight dipped beam
19	10A	Spare
20	15A	Spare
21	20A	Spare
22	20A	Air conditioning condensor fan*
23	15A	Air conditioning compressor*
24	10A	Rear fog guard lamps

* Not fitted to all models or available in all markets.



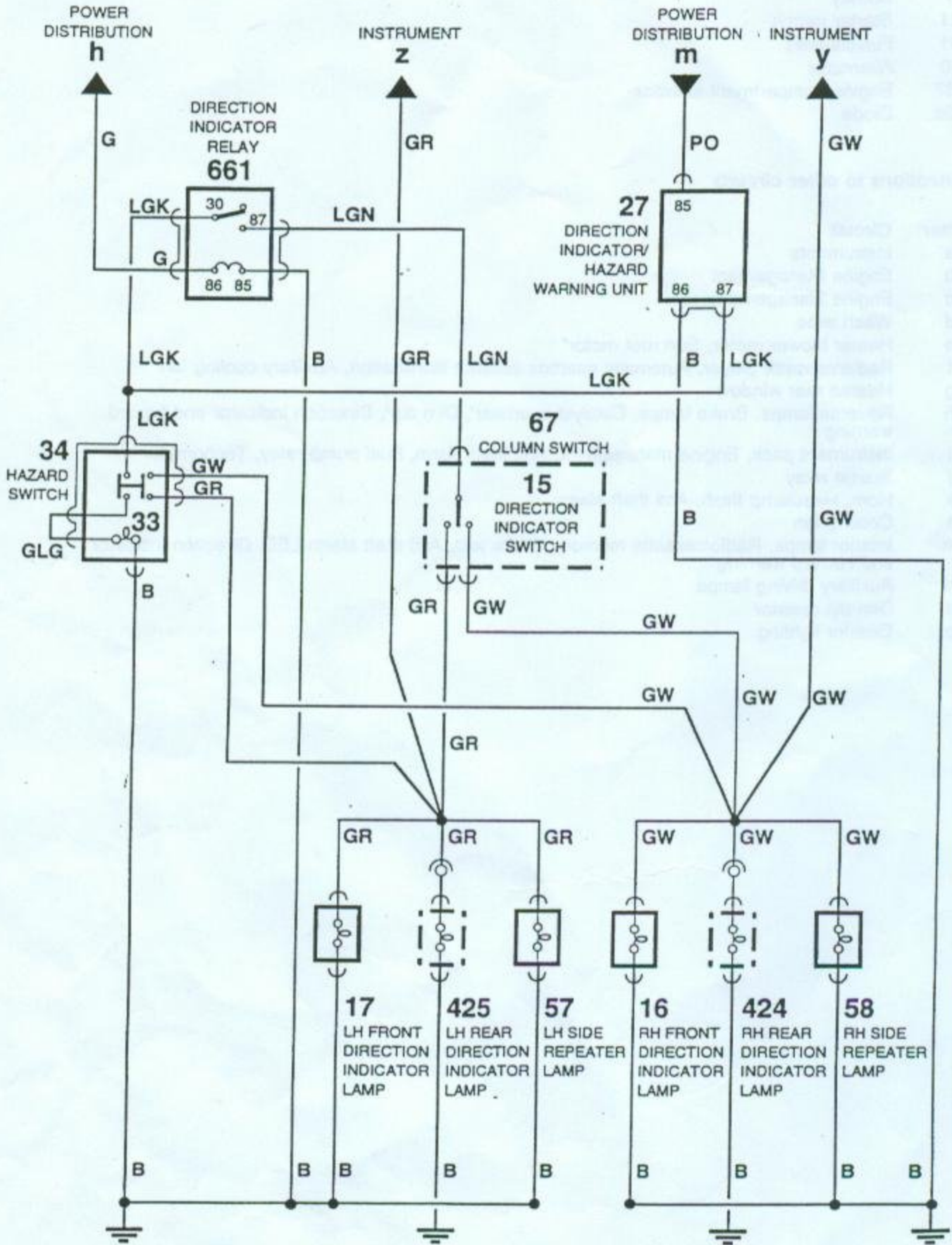
POWER DISTRIBUTION

No.	Description
1	Battery
21	Starter switch
51	Fusible links
80	Alternator
537	Engine compartment fusebox
736	Diode

Connections to other circuits

Letter	Circuit
a	Instruments
b	Engine Management
c	Engine Management
d	Wash wipe
e	Heater blower motor, Sun roof motor*
f	Radio/cassette player, Automatic gearbox selector illumination, Auxiliary cooling fan
g	Heated rear window
h	Reverse lamps, Brake lamps, Catalyst overheat*, Dim dip*, Direction indicator and hazard warning
i	Instrument pack, Engine management, Anti theft alarm, Fuel pump relay, Tachometer
j	Starter relay
k	Horn, Headlamp flash, Anti theft alarm
l	Cooling fan
m	Interior lamps, Radio/cassette memory, Brake test, Anti theft alarm LED, Direction indicator and Hazard warning
n	Auxiliary driving lamps
o	Dim dip resistor
p	Exterior lighting

Direction indicator and hazard warning





DIRECTION INDICATOR AND HAZARD WARNING

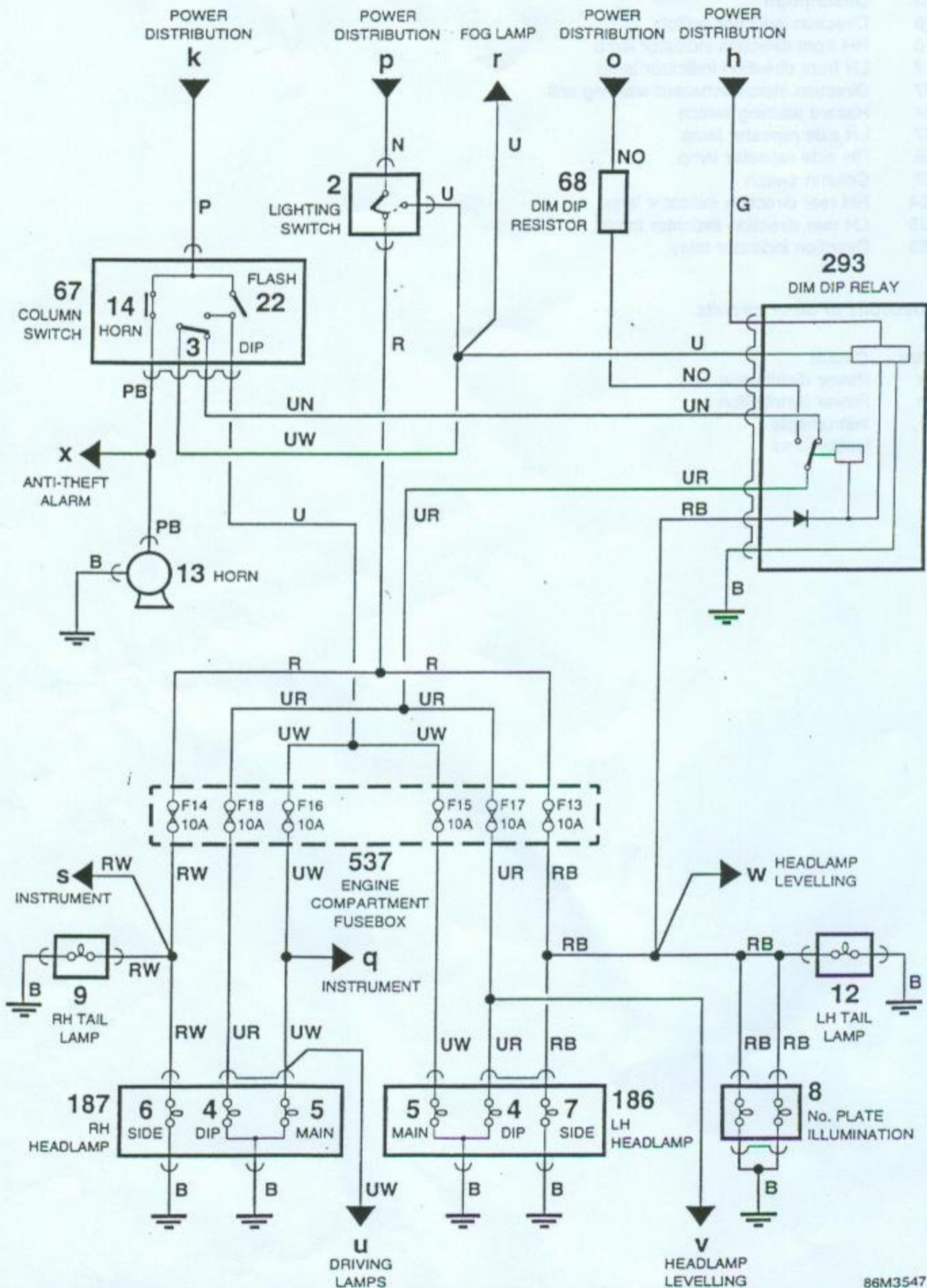
No.	Description
15	Direction indicator switch
16	RH front direction indicator lamp
17	LH front direction indicator lamp
27	Direction indicator/hazard warning unit
34	Hazard warning switch
57	LH side repeater lamp
58	RH side repeater lamp
67	Column switch
424	RH rear direction indicator lamp
425	LH rear direction indicator lamp
669	Direction indicator relay

Connections to other circuits

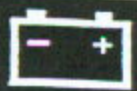
Letter	Circuit
h	Power distribution
m	Power distribution
y	Instruments
z	Instruments

ELECTRICAL- 1994MY

Exterior lamps and horn



86M3547

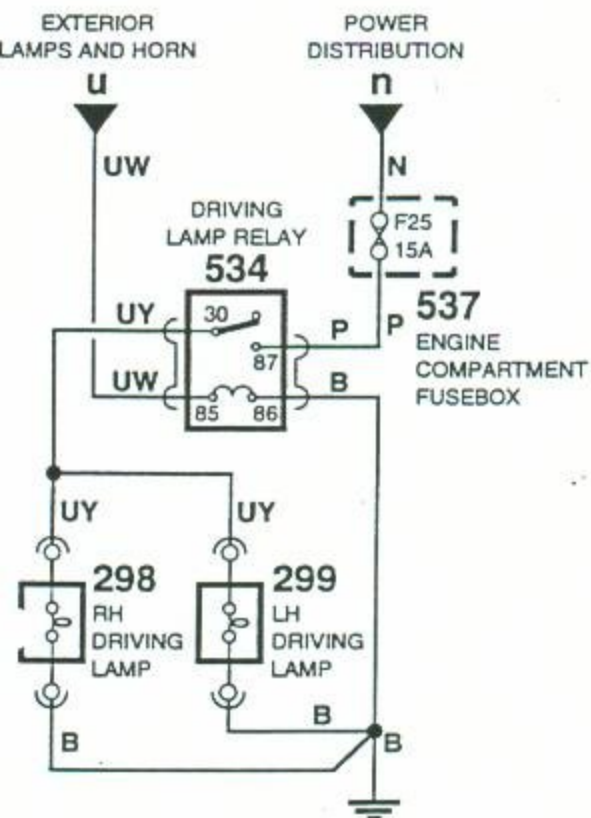


EXTERIOR LAMPS AND HORN

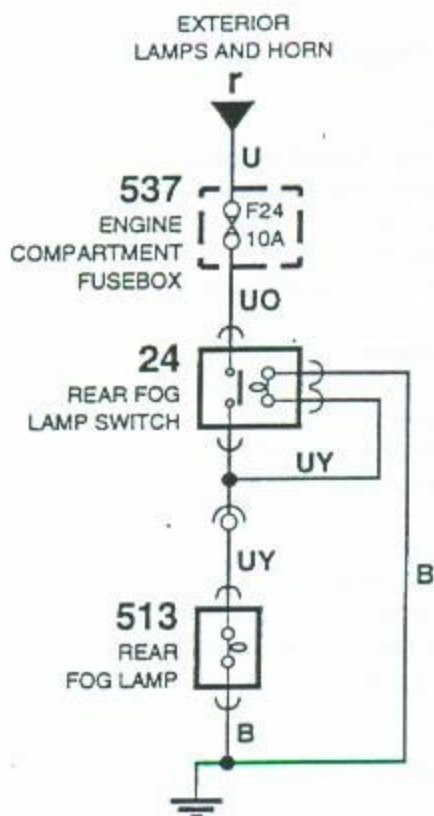
No.	Description
2	Lighting switch
3	Dip switch
4	Headlamp dipped beam
5	Headlamp main beam
6	RH side lamp
7	LH side lamp
8	Numper plate illumination lamps
9	RH tail lamp
12	LH tail lamp
13	Horn
14	Horn switch
22	Headlamp flash switch
67	Column switch
68	Dim/Dip resistor
186	LH headlamp
187	RH headlamp
293	Dim/Dip relay
537	Engine compartment fusebox
802	Lighting link

Connections to other circuits

Letter	Circuit
h	Power distribution
k	Power distribution
o	Power distribution
p	Power distribution
r	Rear fog lamps
q	Instruments
s	Instruments
u	Auxiliary driving lamps
v	Headlamp levelling
w	Headlamp levelling



86M2564A



86M2565A

AUXILIARY DRIVING LAMPS

No.	Description
298	RH driving lamp
299	LH driving lamp
534	Driving lamp relay
537	Engine compartment fusebox

REAR FOG LIGHTS

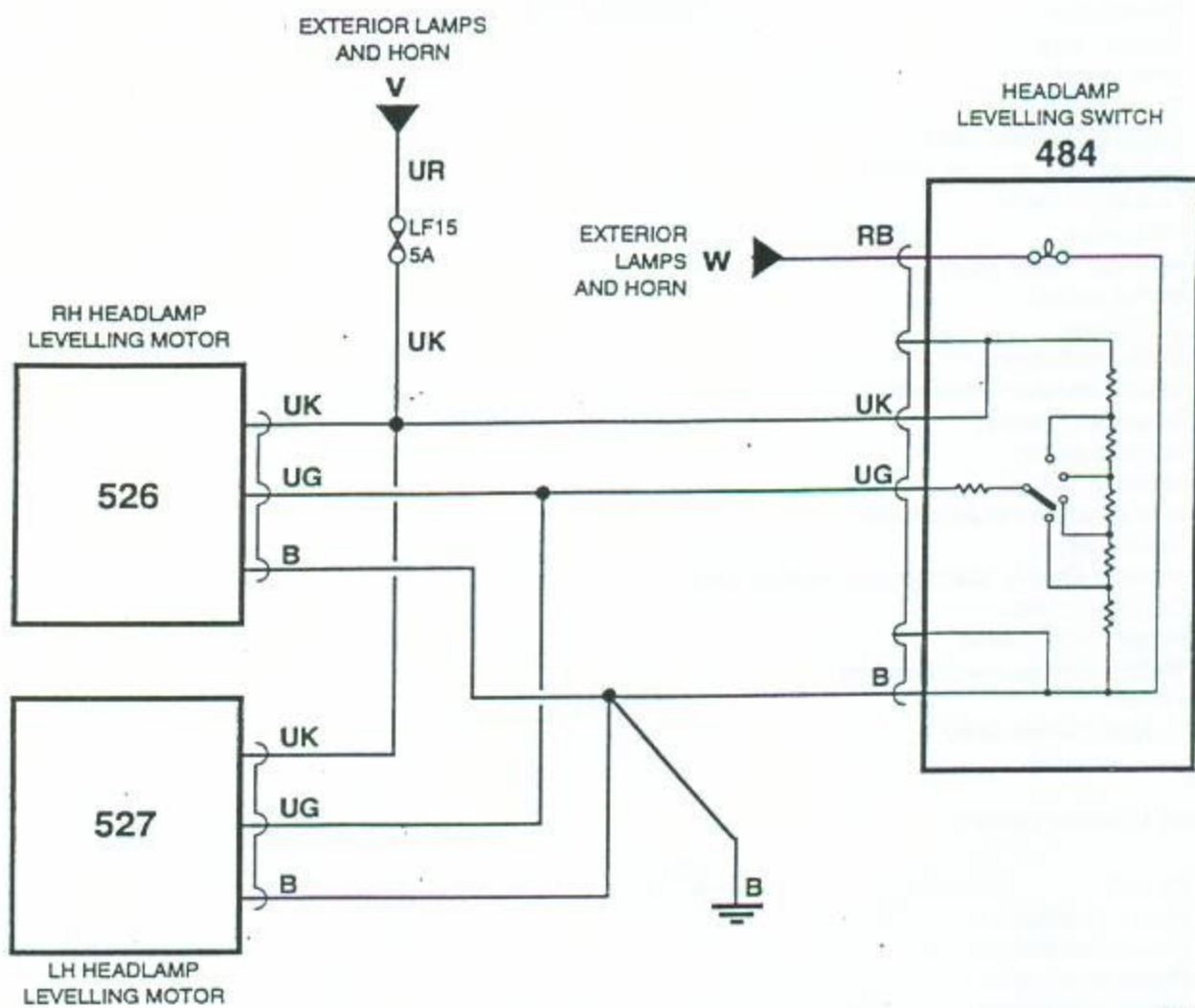
No.	Description
24	Rear fog lamp switch
513	Rear fog lamp
537	Engine compartment fusebox

Connections to other circuits

Connections to other circuits

Letter	Circuit
n	Power distribution
u	Exterior lamps and horn

Letter	Circuit
r	Exterior lamps and horn



86M25

HEADLAMP LEVELLING (Germany)

No.	Description
484	Headlamp levelling switch
526	RH headlamp levelling motor
527	LH headlamp levelling motor

Connections to other circuits

Letter	Circuit
v	Exterior lamps and horn

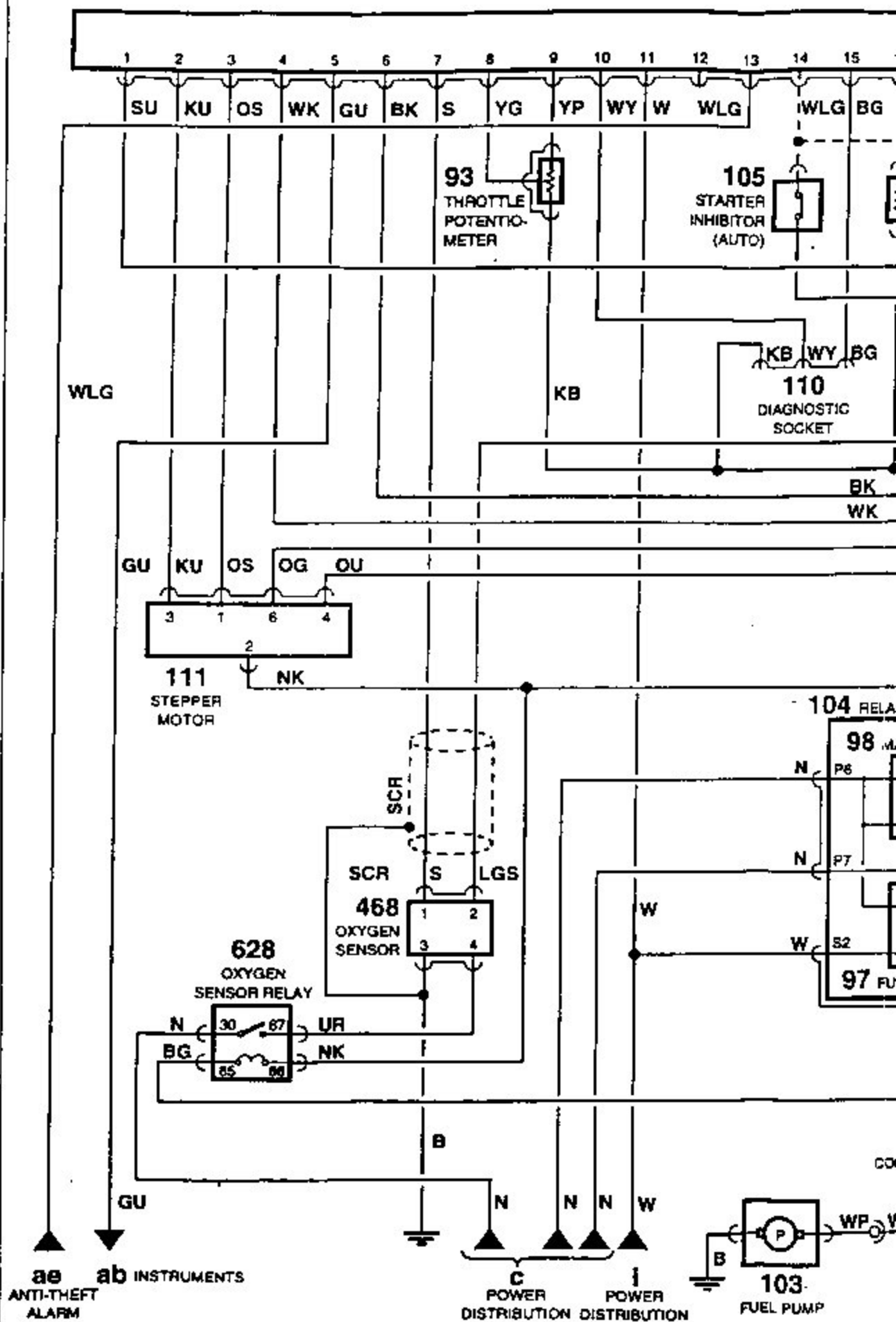
ENGINE MANAGEMENT SYSTEM

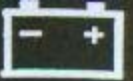
No.	Description
82	Starter relay
83	Ignition coil
87	Crank sensor
93	Throttle potentiometer
94	Coolant temperature sensor
97	Fuel pump relay
98	Main relay
99	Manifold heater relay
101	Inertia switch
103	Fuel pump
104	Multi-function unit
105	Starter inhibitor (Automatic)
110	Diagnostic socket
111	Stepper motor
113	Manifold heater
138	Inlet air temperature sensor
391	Distributor
467	Modular Engine Management control unit
468	Oxygen sensor
497	Purge control valve
537	Engine compartment fusebox
568	Injector
628	Oxygen sensor relay

Connections to other circuits

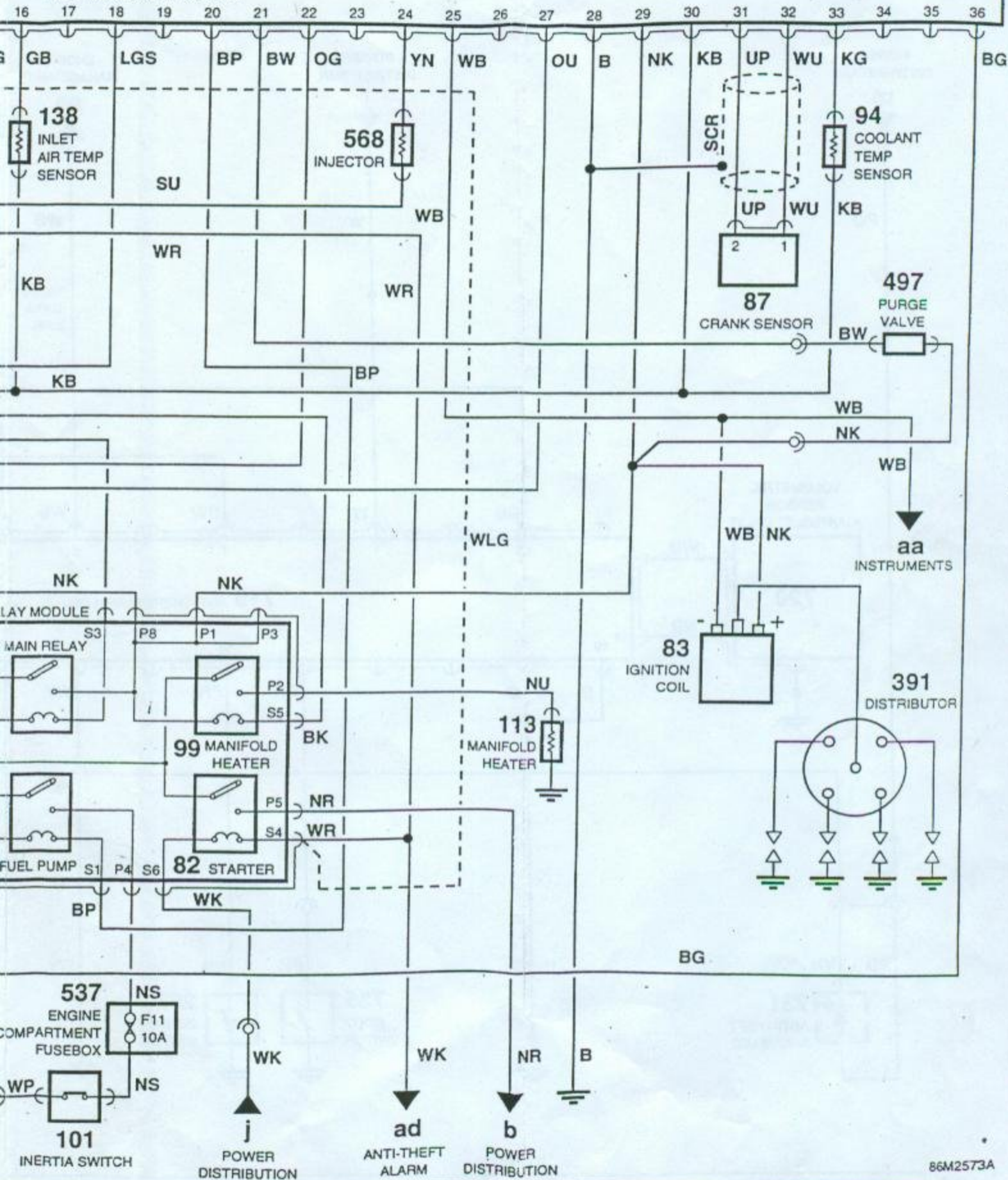
Letter	Circuit
b	Power distribution
c	Power distribution
i	Power distribution
j	Power distribution
aa	Instruments
ab	Instruments
ad	Anti theft alarm
ae	Anti theft alarm

Engine management system





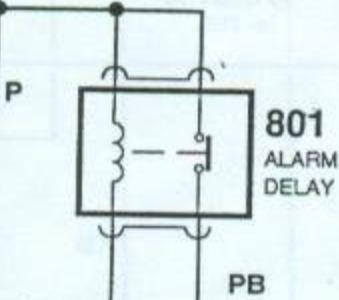
467 MEMS CONTROL UNIT



86M2573A

POWER
DISTRIBUTION

k



RB

RG

PS

110
DIAGNOSTIC
SOCKET

RG

WR

P

PB

6

26

8

7

24

23

YN

PS

WK

WK

ad
ENGINE
MANAGEMENT

PB

X
EXTERIOR
LAMPS
AND HORN

PW

PW

PW

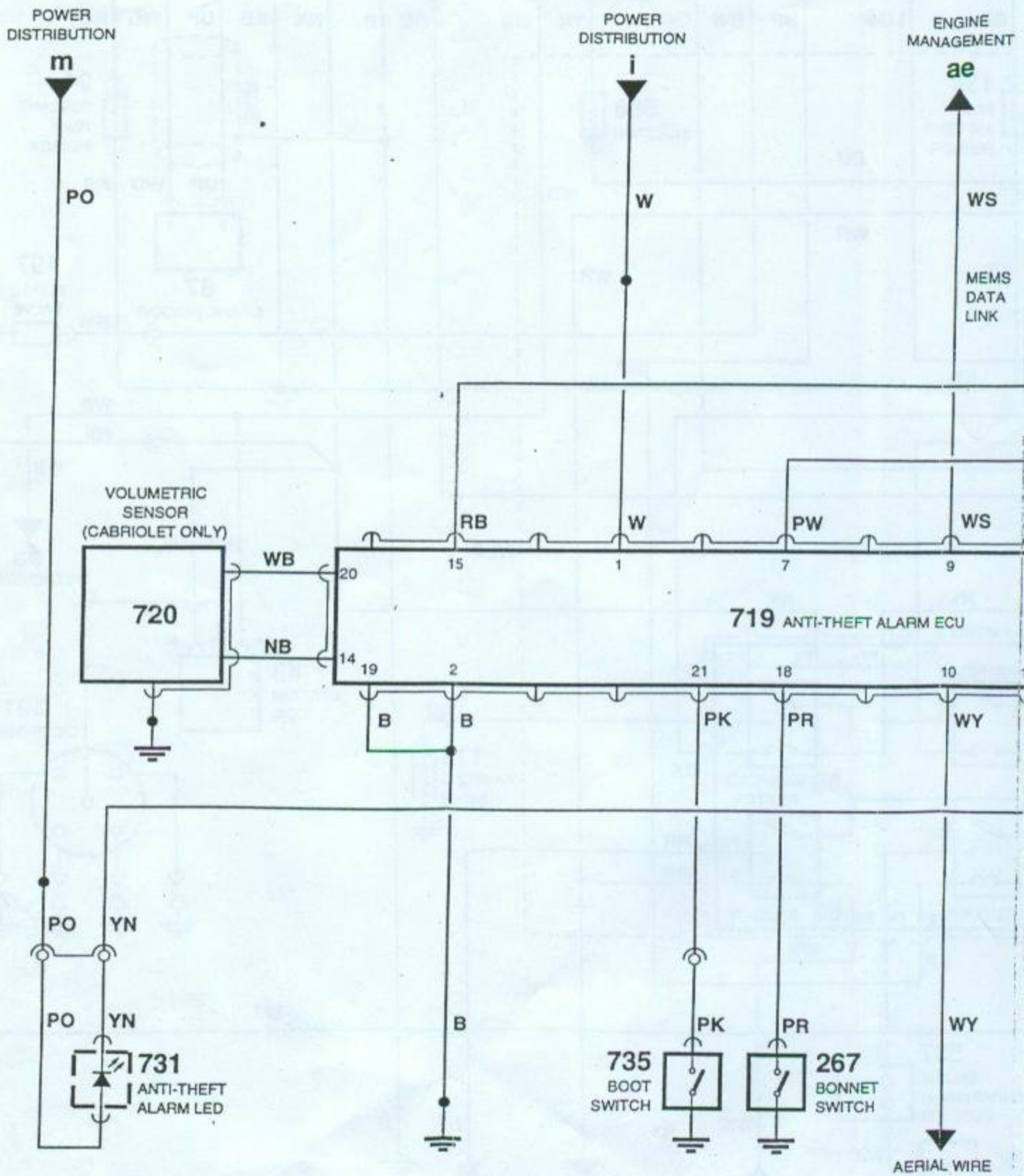
59
DRIVERS
DOOR
SWITCH

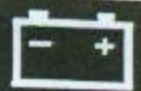


60
PASS
DOOR
SWITCH



Anti-theft alarm



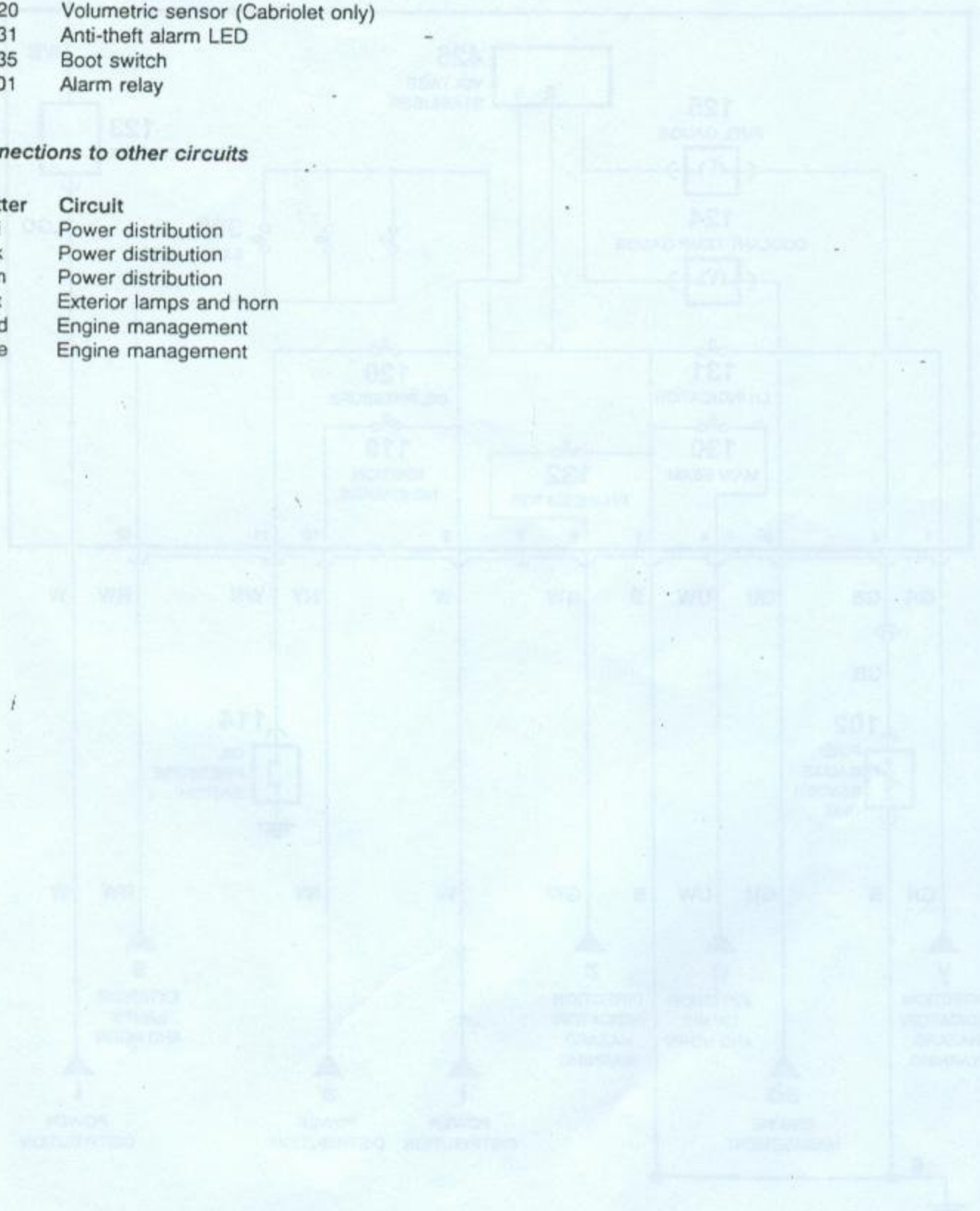


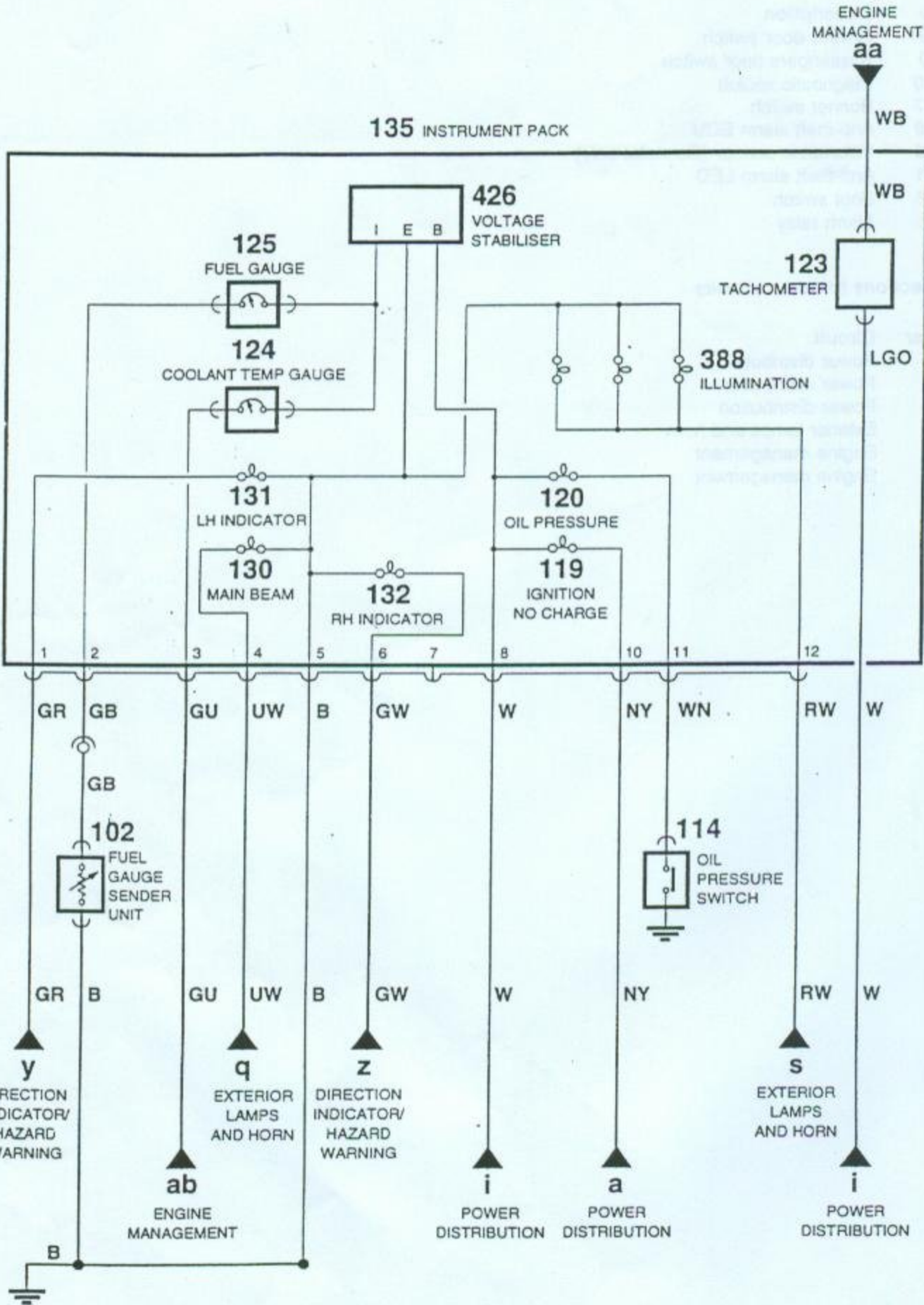
ANTI-THEFT ALARM

No.	Description
59	Drivers door switch
60	Passengers door switch
110	Diagnostic socket
267	Bonnet switch
719	Anti-theft alarm ECU
720	Volumetric sensor (Cabriolet only)
731	Anti-theft alarm LED
735	Boot switch
801	Alarm relay

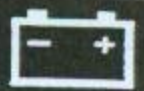
Connections to other circuits

Letter	Circuit
i	Power distribution
k	Power distribution
m	Power distribution
x	Exterior lamps and horn
ad	Engine management
ae	Engine management





96M2567A

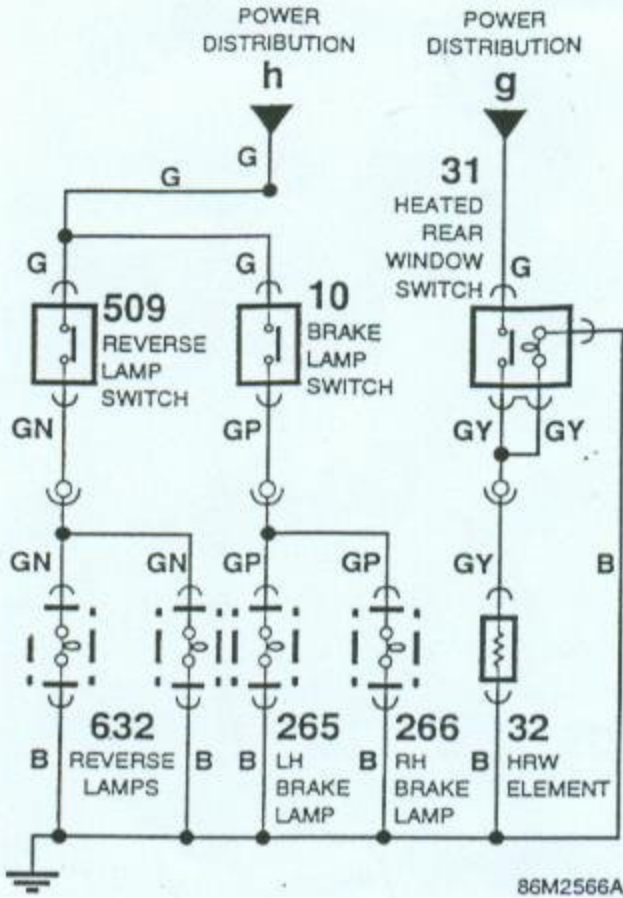


INSTRUMENTS

No.	Description
102	Fuel sender unit
114	Oil pressure switch
119	Ignition/no charge warning light
120	Oil pressure warning light
123	Tachometer
124	Coolant temperature gauge
125	Fuel gauge
130	Main beam warning light
131	LH indicator warning light
132	RH indicator warning light
388	Instrument pack illumination

Connections to other circuits

Letter	Circuit
a	Power distribution
i	Power distribution
q	Exterior lamps and horn
y	Direction indicator and hazard warning
z	Direction indicator and hazard warning
aa	Engine management
ab	Engine management

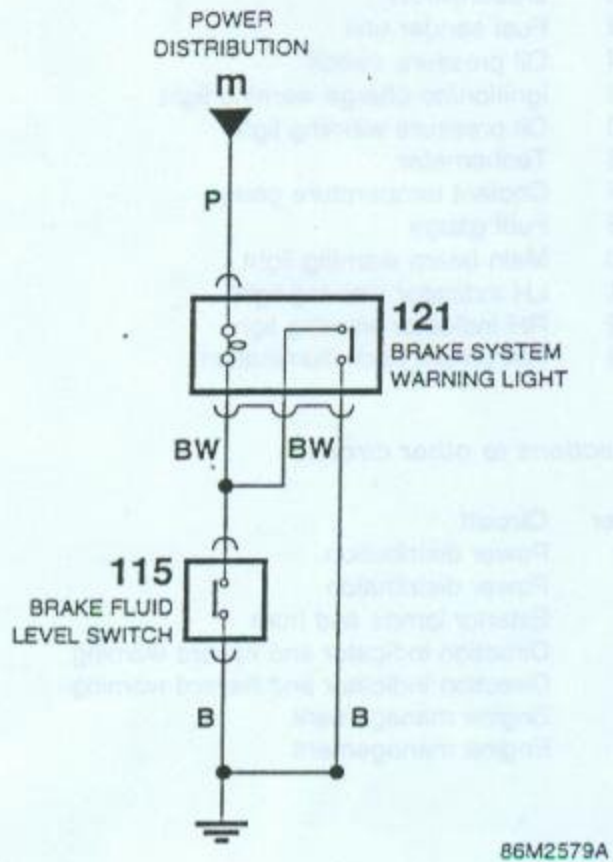


REVERSE LAMPS, BRAKE LAMPS AND HEATED REAR WINDOW

No.	Description
10	Brake lamp switch
31	Heated rear window switch
32	Heated rear window element
265	LH brake lamp
266	RH brake lamp
509	Reverse lamp switch
632	Reverse lamps

Connections to other circuits

Letter	Circuit
g	Power distribution
h	Power distribution

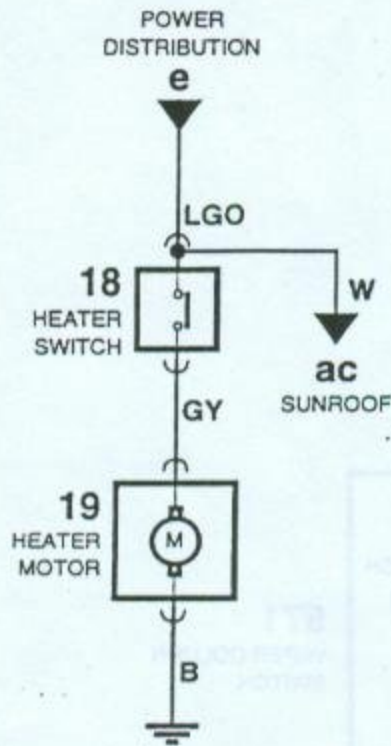
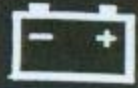


BRAKE TEST CIRCUIT

No.	Description
115	Brake fluid level switch
121	Brake system warning light

Connections to other circuits

Letter	Circuit
m	Power distribution

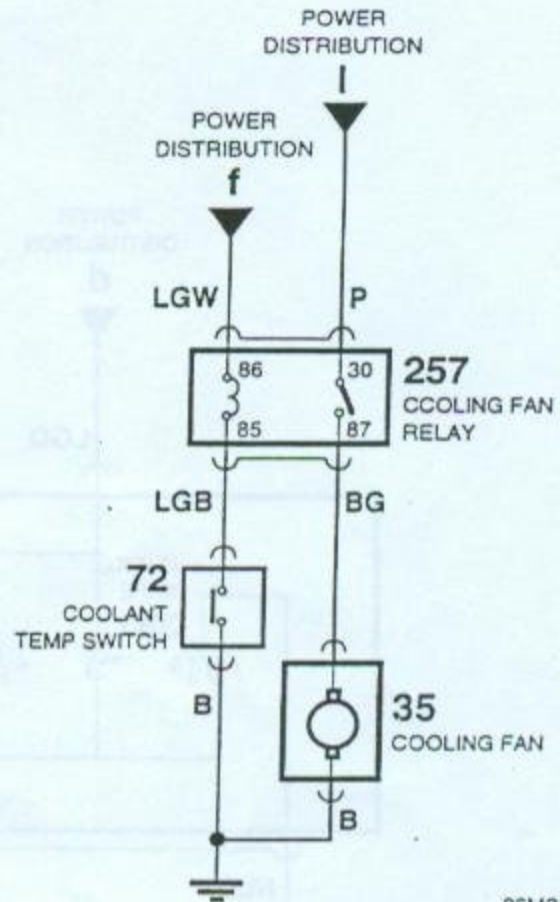


HEATER CIRCUIT

No.	Description
18	Heater switch
19	Heater motor

Connections to other circuits

Letter	Circuit
e	Power distribution
ac	Sun roof



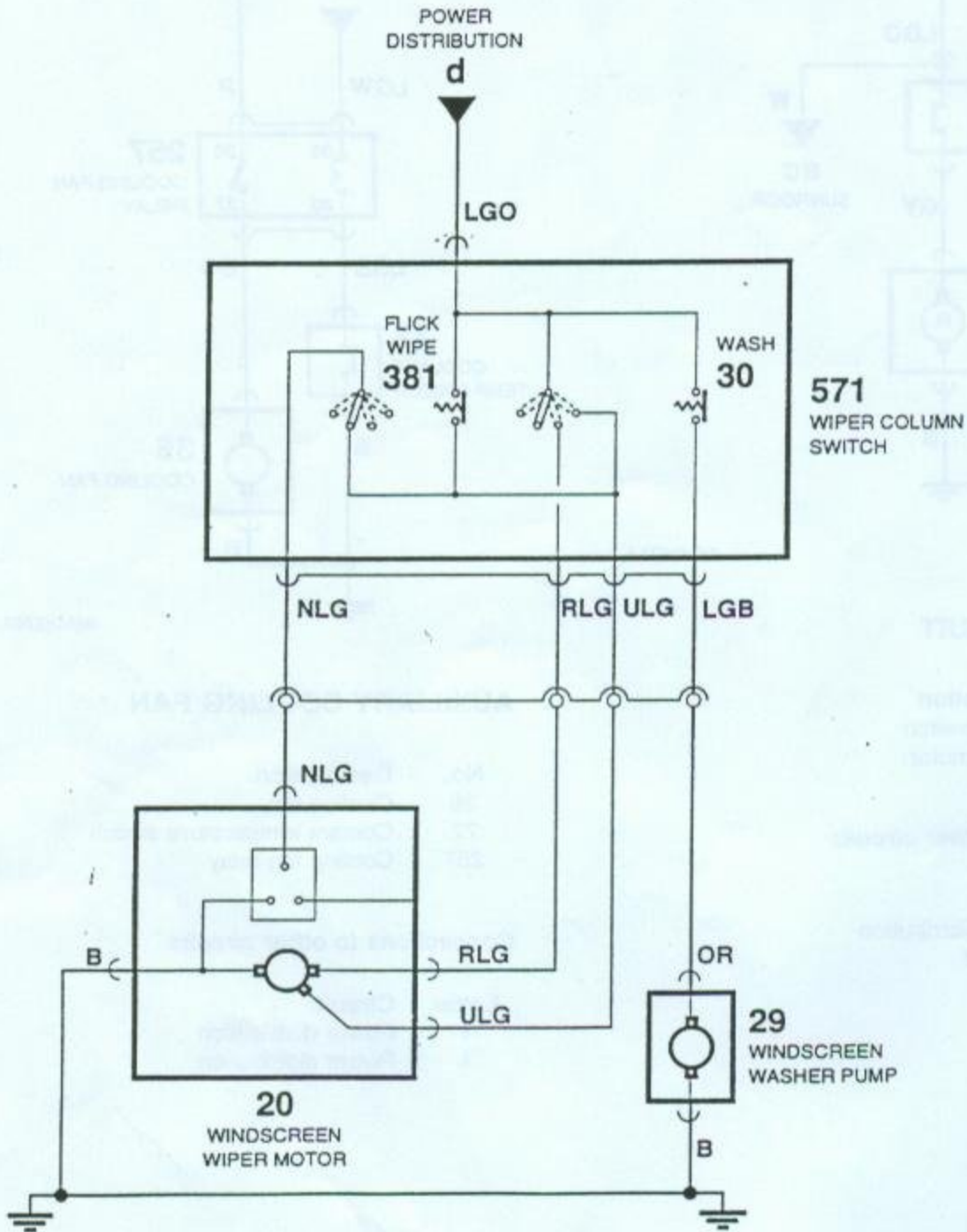
AUXILIARY COOLING FAN

No.	Description
35	Cooling fan
72	Coolant temperature switch
257	Cooling fan relay

Connections to other circuits

Letter	Circuit
f	Power distribution
l	Power distribution

Wash wipe



86M2575A

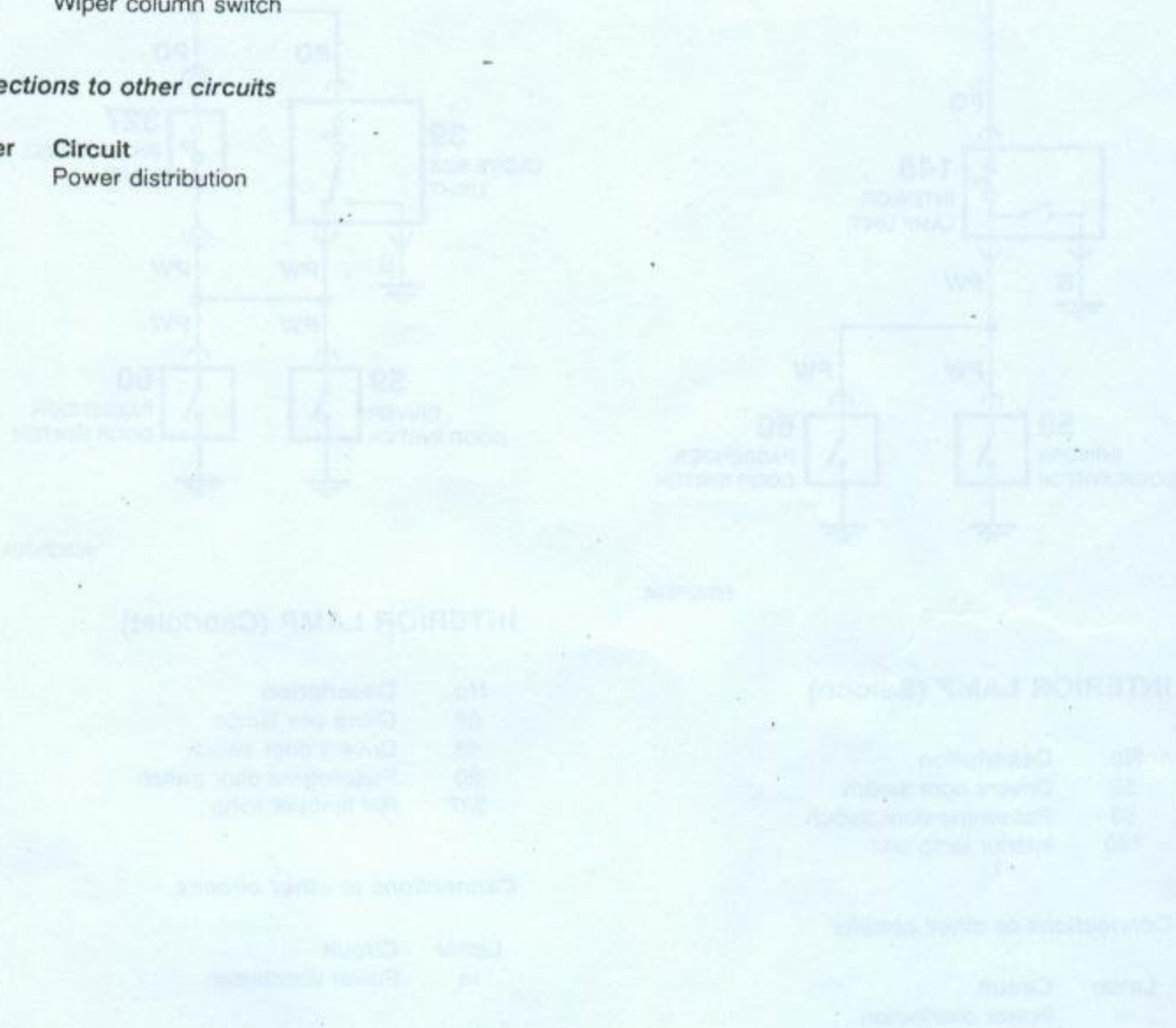


WASH WIPE

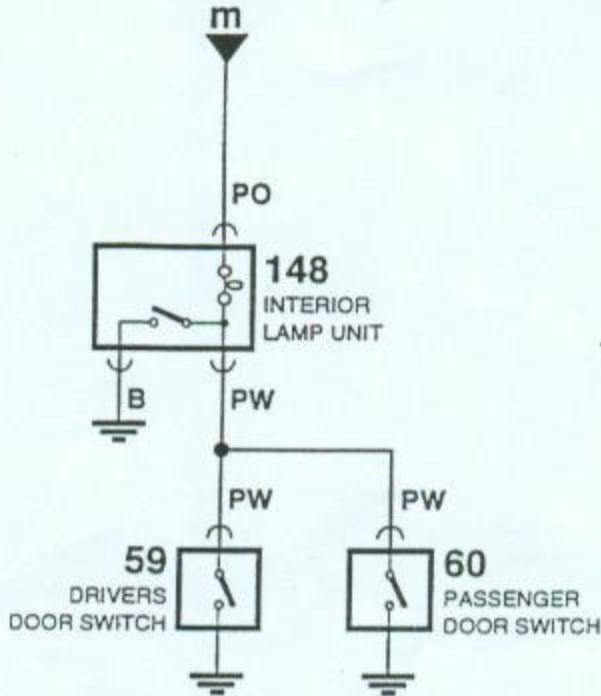
No.	Description
20	Windscreen wiper motor
29	Windscreen washer pump
30	Windscreen washer switch
381	Flick wiper switch
571	Wiper column switch

Connections to other circuits

Letter	Circuit
d	Power distribution



POWER DISTRIBUTION



86M2569A

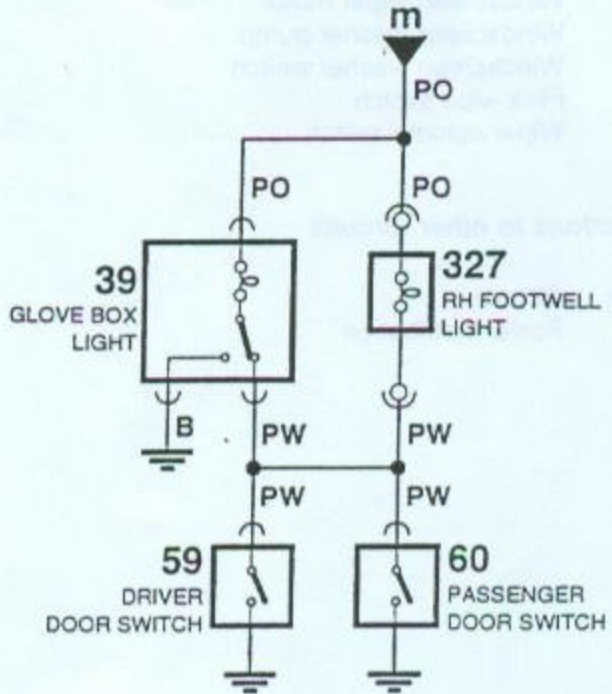
INTERIOR LAMP (Saloon)

No.	Description
59	Drivers door switch
60	Passenger door switch
148	Interior lamp unit

Connections to other circuits

Letter	Circuit
m	Power distribution

POWER DISTRIBUTION



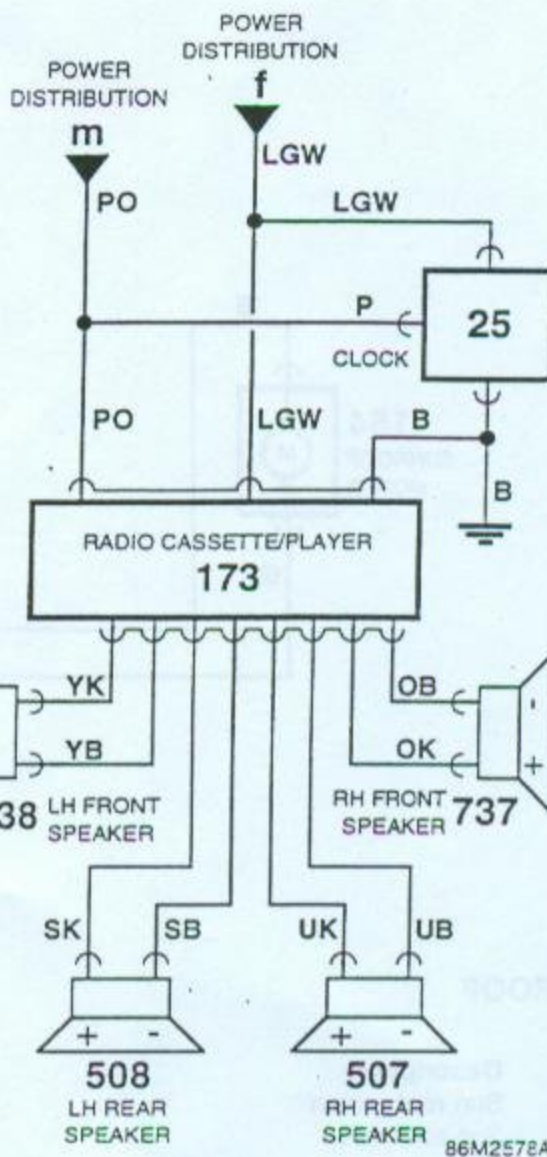
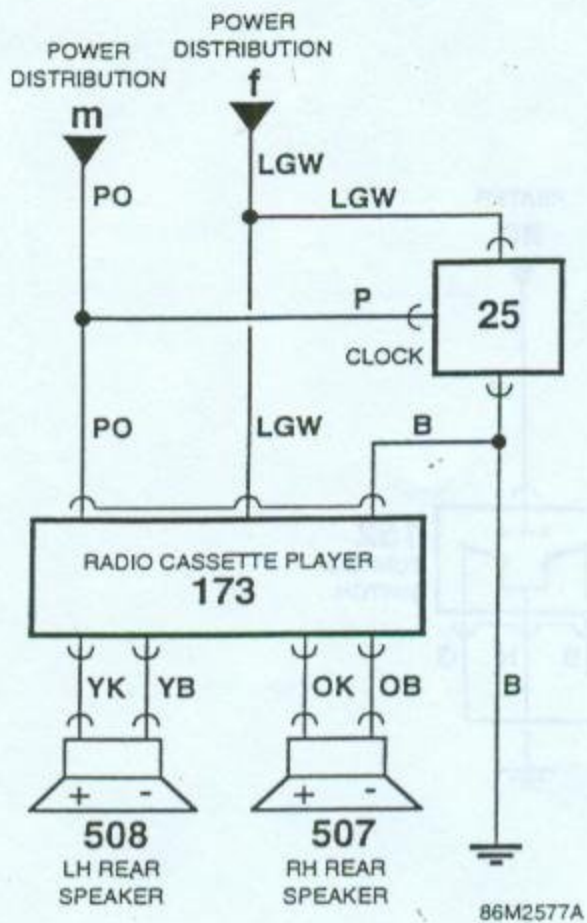
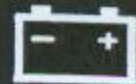
86M2570A

INTERIOR LAMP (Cabriolet)

No.	Description
39	Glove box lamp
59	Drivers door switch
60	Passengers door switch
327	RH footwell lamp

Connections to other circuits

Letter	Circuit
m	Power distribution



RADIO/CASSETTE PLAYER - 2 SPEAKER

No.	Description
25	Clock
173	Radio/cassette player
507	RH rear speaker
508	LH rear speaker

Connections to other circuits

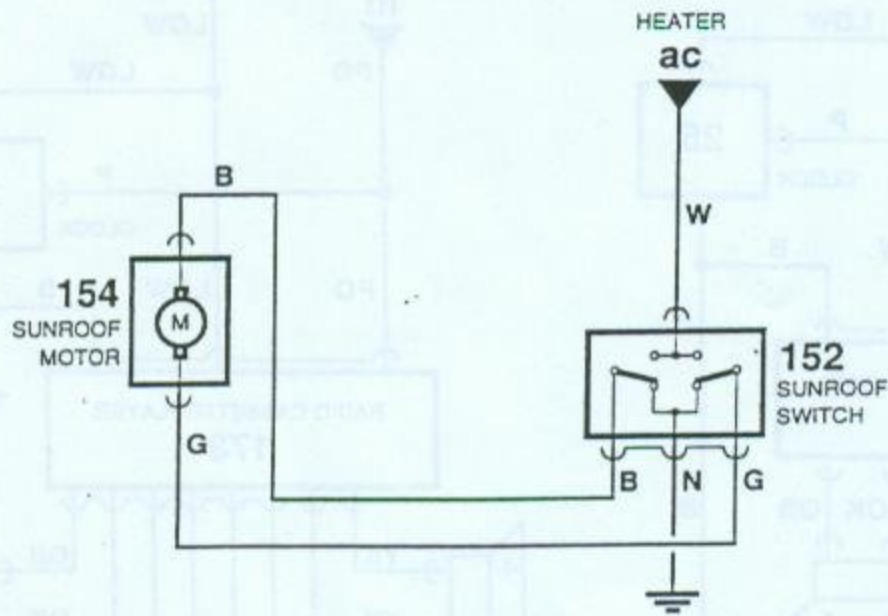
Letter	Circuit
f	Power distribution
m	Power distribution

RADIO/CASSETTE PLAYER - 4 SPEAKER

No.	Description
25	Clock
173	Radio/cassette player
507	RH rear speaker
508	LH rear speaker
737	RH front speaker
738	LH front speaker

Connections to other circuits

Letter	Circuit
f	Power distribution
m	Power distribution



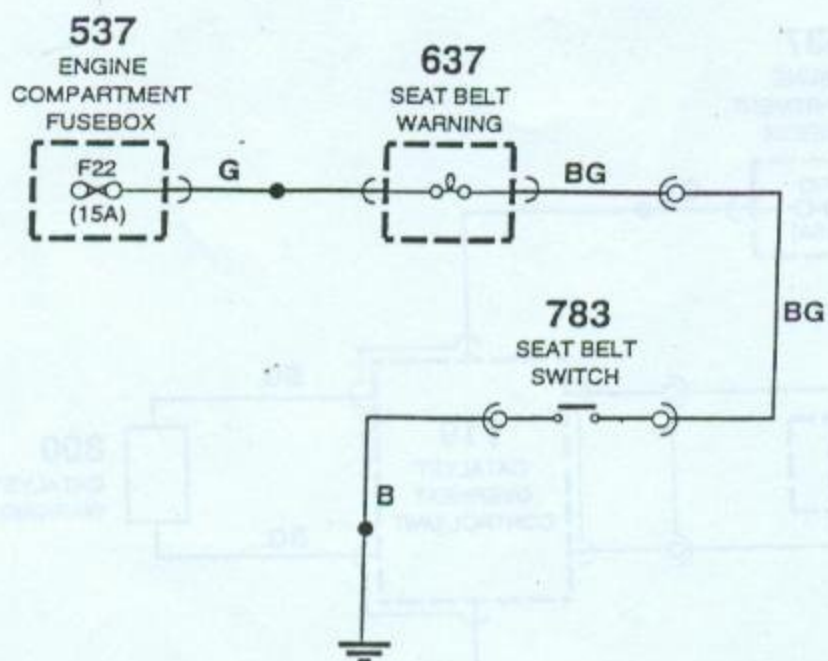
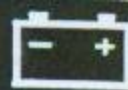
86M2580A

SUN ROOF

No.	Description
152	Sun roof switch
154	Sun roof motor

Connections to other circuits

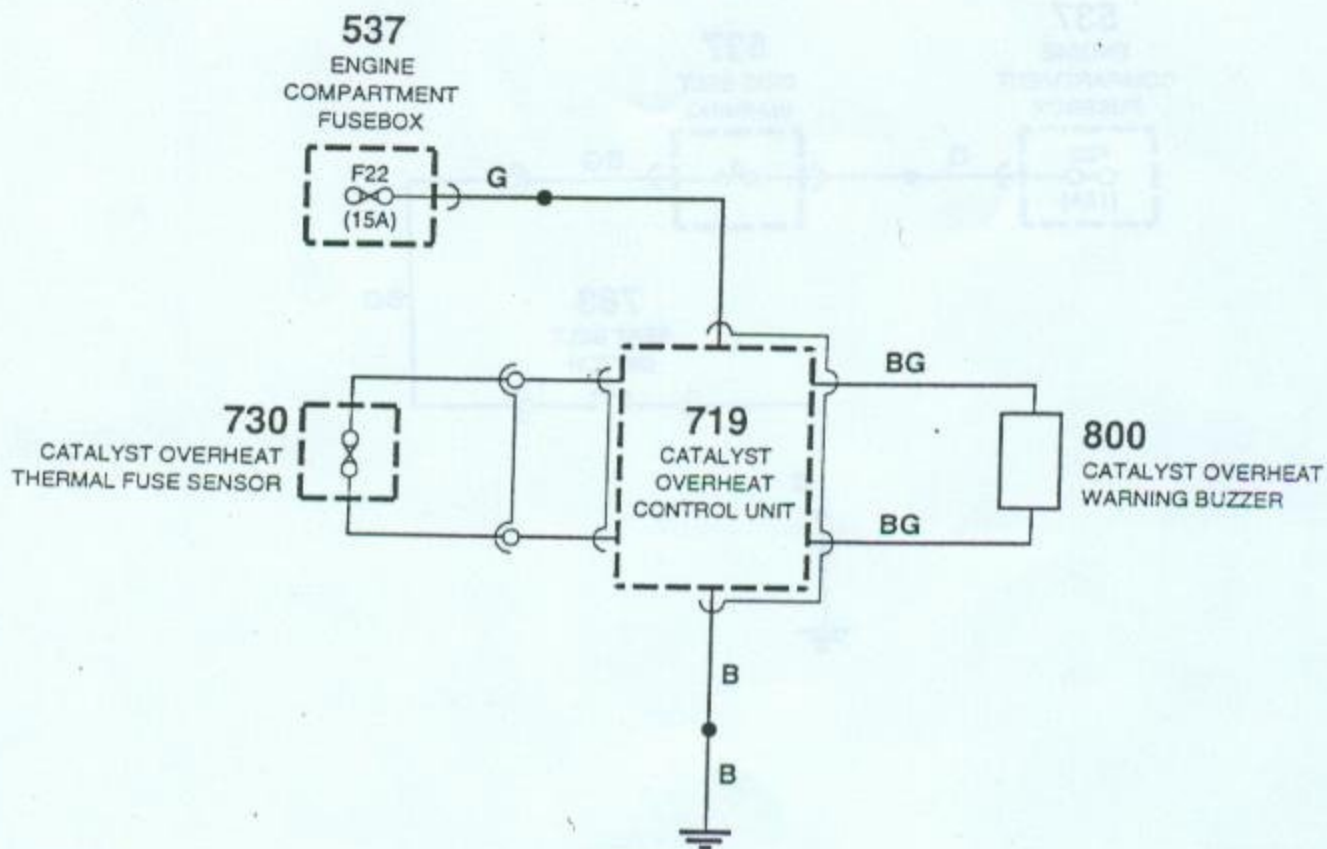
Letter	Circuit
ac	Heater



86M3549

SEAT BELT WARNING

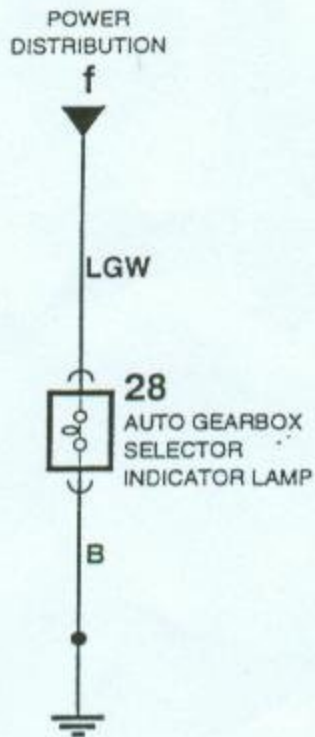
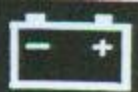
No.	Description
537;	Engine compartment fuse box
637	Seat belt warning light
783	Seat belt buckle switch



86M3548

CATALYST OVERHEAT

No.	Description
537	Engine compartment fusebox
719	Catalyst overheat control unit
730	Catalyst overheat thermal fuse sensor
800	Catalyst overheat warning buzzer



86M2572A

AUTOMATIC GEARBOX SELECTOR ILLUMINATION

No.	Description
28	Automatic gearbox selector indicator lamp

Connections to other circuits

Letter	Description
f	Power distribution